

LALT Lighting Circuit Assignments

P. Lewis

11/25/12

Updated

10/08/16

Circuit	DMX Channel	Dimmer/Channel	Stage Lights	Soft Patch
Orange-1	1	ETC-1/1		
Orange-2	2	ETC-1/2		
Orange-3	3	ETC-1/3		
Orange-4	4	ETC-1/4		
Brown-1	5	ETC-1/5		
Brown-2	6	ETC-1/5		
Brown-3	7	ETC-2/1		
Brown-4	8	ETC-2/2		
Yellow-1	9	ETC-2/3		
Yellow-2	10	ETC-2/4		
Yellow-3	11	ETC-2/5		
Yellow-4	12	ETC-2/6		
Silver-1	13	ETC-3/1		
Silver-2	14	ETC-3/2		
Silver-3	15	ETC-3/3		
Silver-4	16	ETC-3/4		
Black-1	17	ETC-3/5		
Black-2	18	ETC-3/6		
Black-3	19	ETC-4/1		
Black-4	20	ETC-4/2		
Green-1	21	ETC-4/3		
Green-2	22	ETC-4/4		
Green-3	23	ETC-4/5		
Green-4	24	ETC-4/6		
Gold-1	25	ETA-A/1		
Gold-2	26	ETA-A/2		
Gold-3	27	ETA-A/3		
Gold-4	28	ETA-A/4		
White-3	29	ETA-A/5		
White-1	30	ETA-A/6		
White-2	31	ETA-A/7		
White-4	32	ETA-A/8		
Curtain	33	ETA-B/1		
House-SL	34	ETA-B/2		
House-SR	35	ETA-B/3		
Aesthetics	36	ETA-B/4		

LALT Lighting Circuit Wiring*(Terminal strip numbered top to bottom)*

P. Lewis

11/25/12

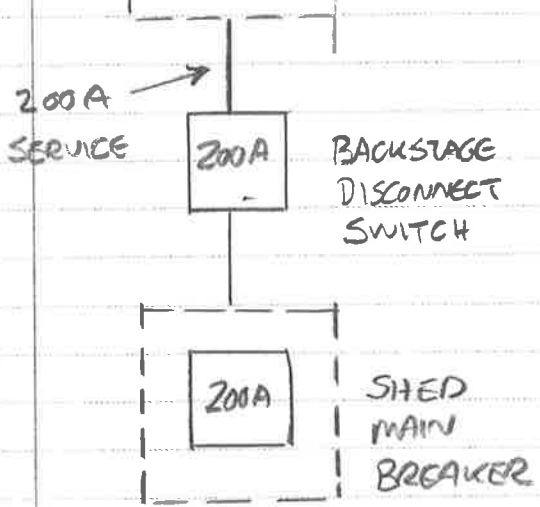
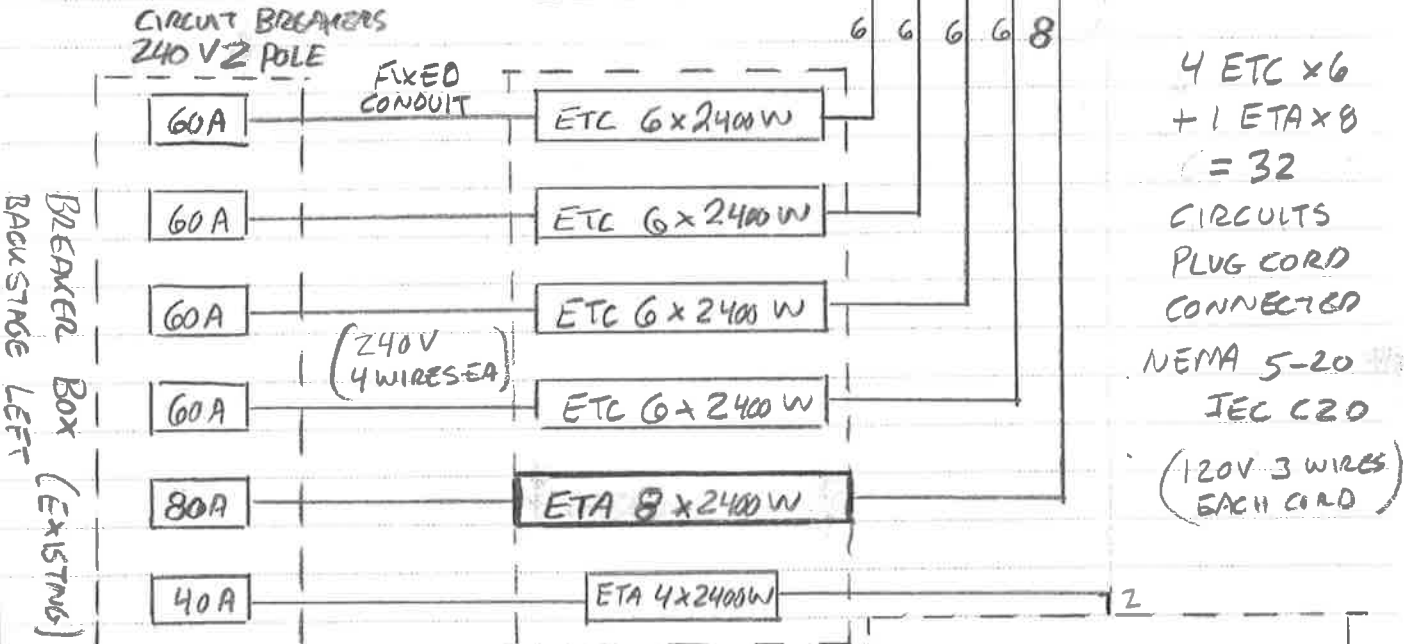
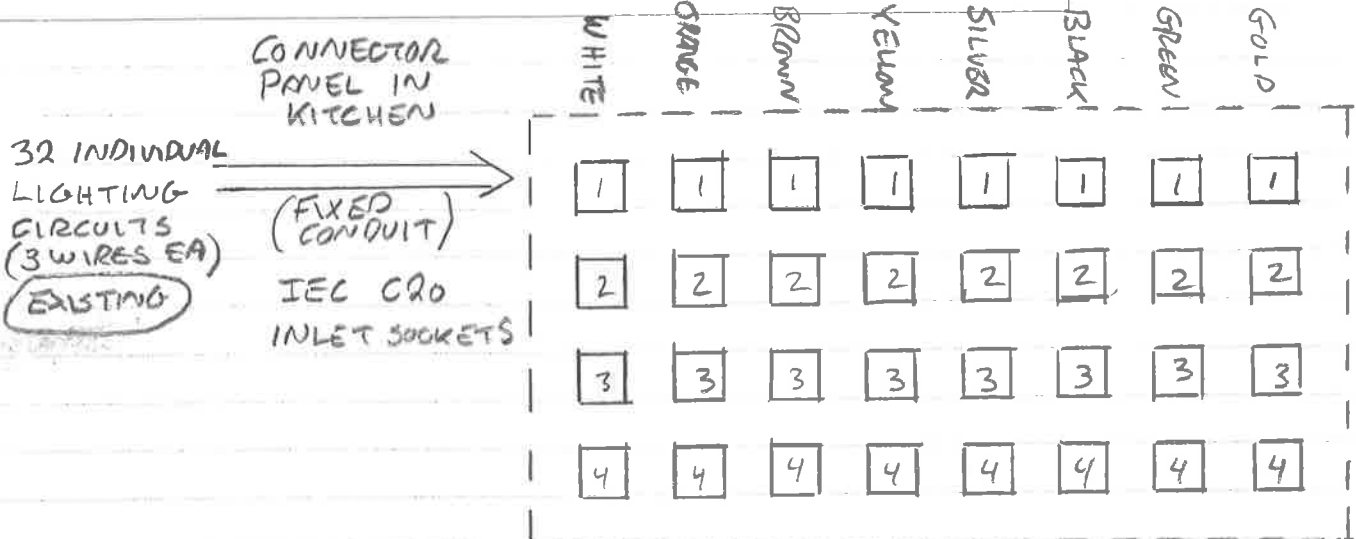
Updated 10/08/16

Circuit	Conduit/ Bundle	Wire Color	Terminal #	Dimmer/ Channel	120V Leg	DMX Channel
Orange-1	Upper/Green	black	1	ETC-1/1	L1-Red	1
Orange-2	Upper/Green	brown	2	ETC-1/2	L1-Red	2
Orange-3	Upper/Green	blue	3	ETC-1/3	L1-Red	3
Orange-4	Upper/Green	red	4	ETC-1/4	L2- Black	4
Brown-1	Upper/Blue	black	5	ETC-1/5	L2- Black	5
Brown-2	Upper/Blue	brown	6	ETC-1/6	L2- Black	6
Brown-3	Upper/Blue	blue	7	ETC-2/1	L1-Red	7
Brown-4	Upper/Blue	red	8	ETC-2/2	L1-Red	8
Yellow-1	Upper/Black	black	9	ETC-2/3	L1-Red	9
Yellow-2	Upper/Black	brown	10	ETC-2/4	L2- Black	10
Yellow-3	Upper/Black	blue	11	ETC-2/5	L2- Black	11
Yellow-4	Upper/Black	red	12	ETC-2/6	L2- Black	12
Silver-1	Middle/Blue	black	13	ETC-3/1	L1-Red	13
Silver-2	Middle/Blue	brown	14	ETC-3/2	L1-Red	14
Silver-3	Middle/Blue	blue	15	ETC-3/3	L1-Red	15
Silver-4	Middle/Blue	red	16	ETC-3/4	L2- Black	16
Black-1	Middle/Black	black	17	ETC-3/5	L2- Black	17
Black-2	Middle/Black	brown	18	ETC-3/6	L2- Black	18
Black-3	Middle/Black	blue	19	ETC-4/1	L1-Red	19
Black-4	Middle/Black	red	20	ETC-4/2	L1-Red	20
Green-1	Middle/Green	black	21	ETC-4/3	L1-Red	21
Green-2	Middle/Green	brown	22	ETC-4/4	L2- Black	22
Green-3	Middle/Green	blue	23	ETC-4/5	L2- Black	23
Green-4	Middle/Green	red	24	ETC-4/6	L2- Black	24
Gold-1	Lower/Green	black	25	ETA-A/1	L1-Red	25
Gold-2	Lower/Green	brown	26	ETA-A/2	L1-Red	26
Gold-3	Lower/Green	blue	27	ETA-A/3	L1-Red	27
Gold-4	Lower/Green	red	28	ETA-A/4	L1-Red	28
White-3	Lower/Blue	black	29	ETA-A/5	L2- Black	29
White-1	Lower/Blue	brown	30	ETA-A/6	L2- Black	30
White-2	Lower/Blue	blue	31	ETA-A/7	L2- Black	31
White-4	Lower/Blue	red	32	ETA-A/8	L2- Black	32
House-SR	Lower/Black	black	33	ETA-B/3	L2- Black	35
House-SL	Lower/Black	brown	34	ETA-B/2	L1-Red	34
Aesthetics	Lower/Black	blue	35	ETA-B/4	L2- Black	36
Curtain	Lower/Black	red	36	ETA-B/1	L1-Red	33

date
project
page

LALT LIGHTING UPGRADE
CONCEPTUAL DESIGN - POWER

PLEWIS
2/22/12



task list:

CONNECTOR PANEL IN KITCHEN

HOUSE + AESTHETICS LIGHTING CIRCUITS (EXISTING)

AESTHETICS 4 x 150 = 600 W

HOUSE 11 x 150 = 1650 W

date

LALT LIGHTING UPGRADE

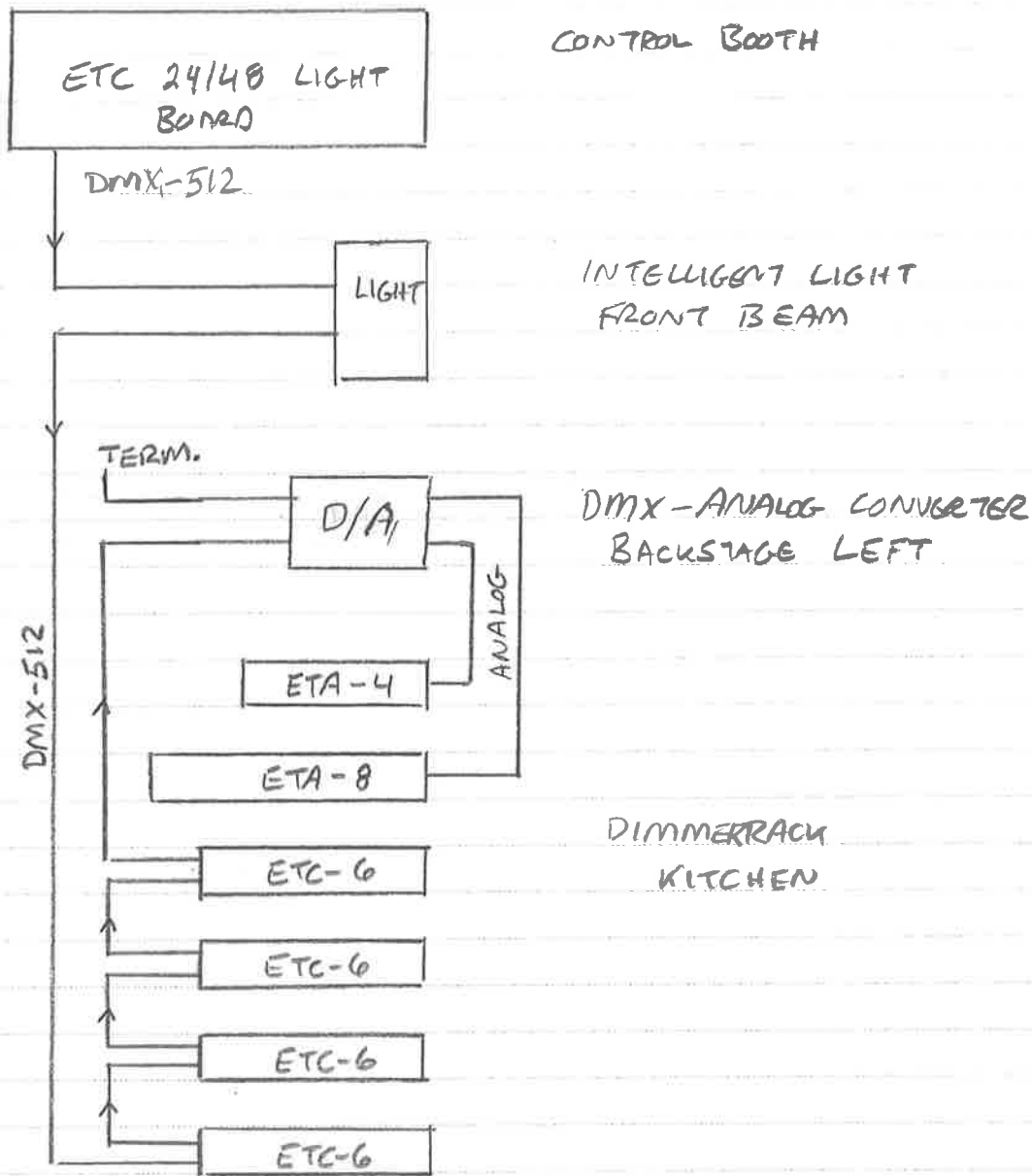
P. LEWIS

project

CONCEPTUAL DESIGN - CONTROL

2/22/12

page



task list:

Empty box for task list.